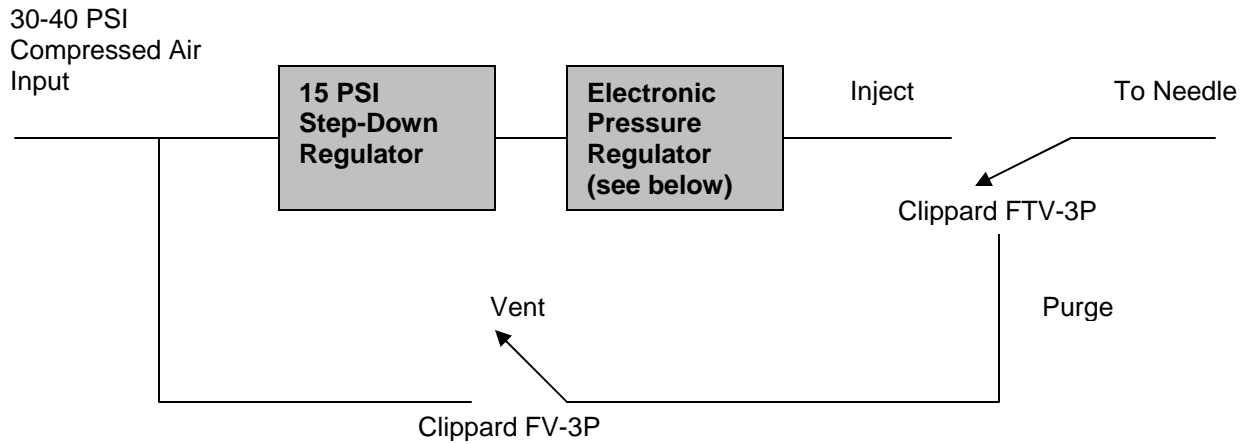
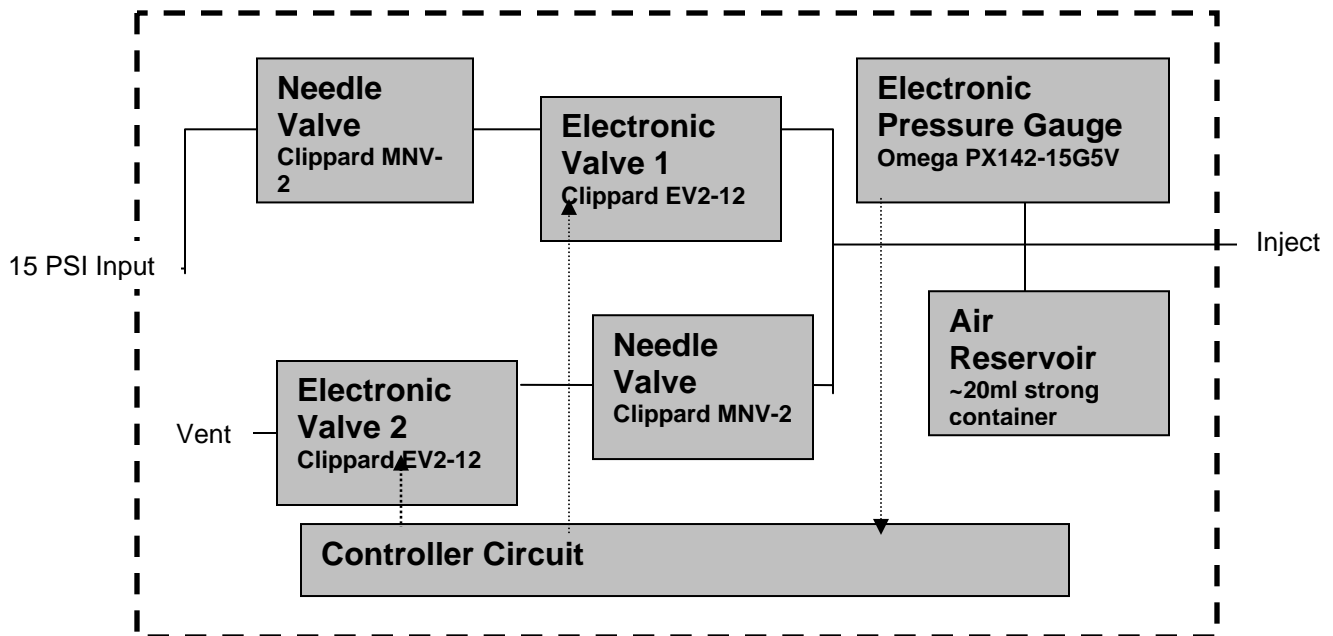


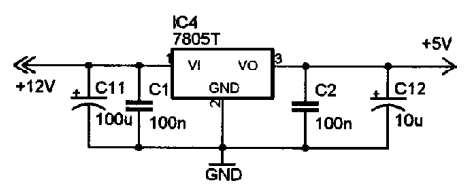
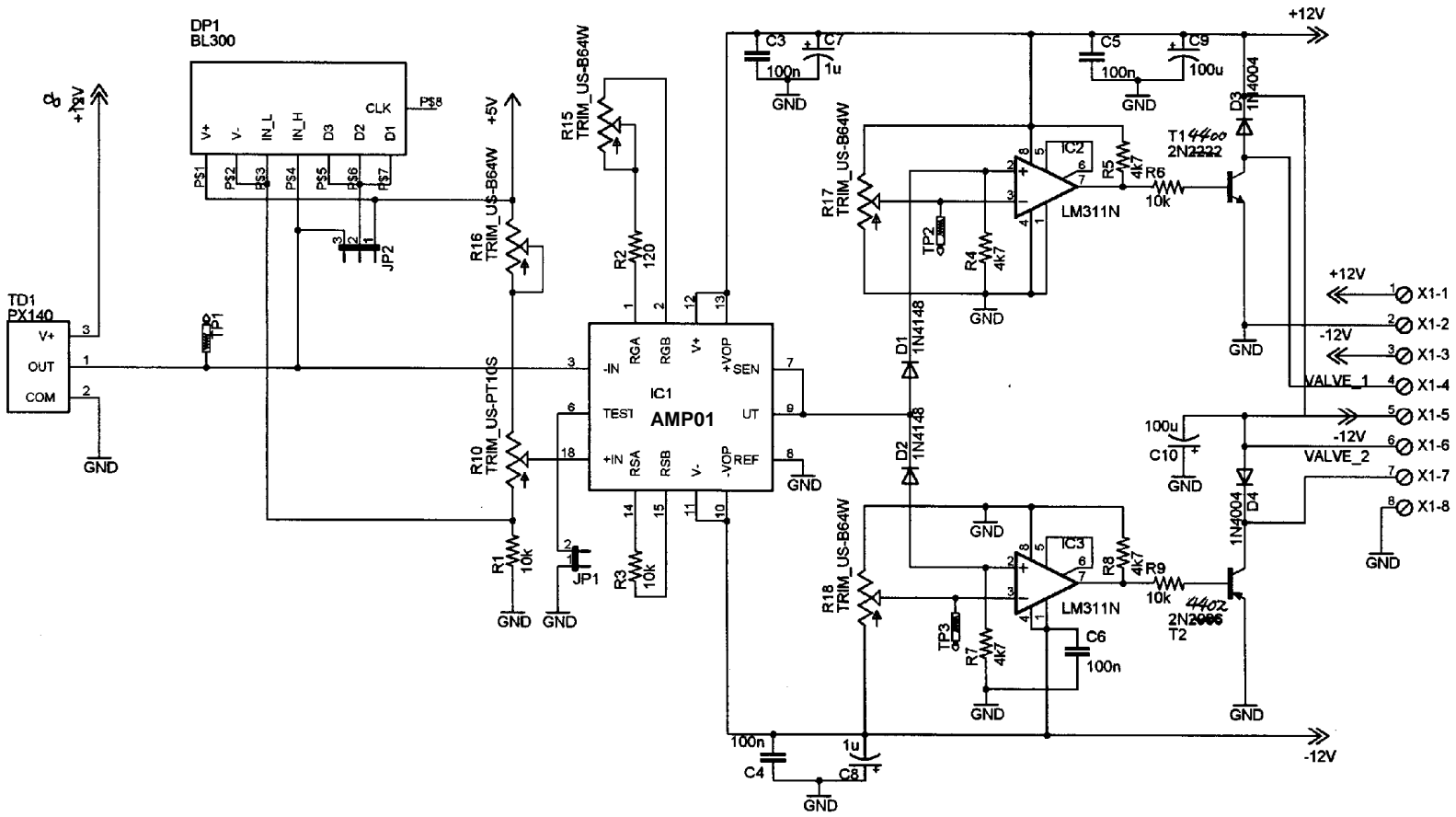
Precision Air Pressure Regulator for Microinjection



Electronic Pressure Regulator



Controller Circuit



UMASS MEDICAL CENTER Electronics Shop	
TITLE: ValveCon1	
Document Number: 020128-1-ES-GK	REV: 1
Date: 3/13/2002 03:35:10p	Sheet: 1/1

/2002 01:04:18p C:/PROGRAM FILES/EAGLE-4.08R2/projects/ValveCon/ValveCon1.sch (Sheet: 1/1)

Calibration

Power Supply	+12V, -12V
Voltage to Pressure Sensor	TP1 = 1.000V
R17	TP2 = 8.0V
R18	TP3 = -8.0V
R16	In-L of DP1 = 1.000V

Designed by and Copyrighted to Yu-li Wang